

## Parts List

No.	Name of Parts	Per Set	Parts No.	No.	Name of Parts	Per Set	Parts No.
1	Motor Case Assy.	1set	0455 0011 00 99	6	Hammer Case Assy.	1set	0455 0401 00 99
*	(a) Motor Case (A)	1	0456 0011 00 01		(a) Hammer Case	1	0455 0401 00 00
*	(b) Motor Case (B)	1	0456 0011 00 02		(b) Main Shaft Bushing	1	0259 0612 00 00
	(c) Motor Case (C)	1	0456 0011 00 03	7	Hex. Socket Head Bolt (M4×14)	4	8070 3008 00 00
	(d) Tapping Screw (M3×16)	6	9540 1018 00 00	8	Spring Washer (M4)	4	9200 3012 00 00
	(e) Motor Assy.	1set	0444 0330 00 99	Parts for YZ-N800A			
	(f) Fan Protector	1	0456 0363 00 00	2A	Liner Case Assy.	1set	0455 0422 00 98
	(g) Fan D03X-05TM11 (CX)	1	0446 1556 00 00		(j) Main Shaft (A-type)	1	0455 0614 00 51
	(h) Rubber Packing	1	0446 0359 00 00	13	Bit Chuck Assy.	1set	2057 0414 00 99
	(i) Cross Recessed Screw (M3×16)	2	9410 2056 00 00		(a) Bit Chuck	1	2057 0414 00 00
	(j) Power Circuit Board Assy.	1set	0446 0195 02 99		(b) Ball (1/8)	1	9150 3009 00 00
	(k) Head Screw	3	9410 4002 00 00		(c) Spring (13.5×10)	1	8020 1340 00 00
	(l) Harness (A)	1	0446 0208 00 01		(d) Spring Washer	1	2331 0419 00 00
	(m) Controll Circuit Board Assy.	1set	0455 1608 00 99		(e) Retaining Ring (10×1)	1	8030 1009 00 00
	(n) O-Ring (S6)	2	9010 4026 00 00	Standard Accessories			
	(o) Harness (B)	1	0456 0208 00 02		TF Pin (2×9)	1	8051 6001 00 00
	(p) Throttle Knob Assy.	1set	0446 0153 01 99	9	Protector	1	0455 0029 00 00
	(q) Spring (7.5×26)	1	8020 1449 00 00	10	Battery Pack (BPL-1820)	1	0446 1521 00 00
	(r) Spring (3.5×23)	1	8020 1450 00 00	Optional Accessories			
	(s) Reverse Lever Assy.	1set	0446 0007 00 99	11	Protector (for BPL-1820)	1	0446 0029 00 01
	(t) Reverse Lever Spring	1	0446 1615 00 00	10	Battery Pack (BPL-1820)	1	0446 1521 00 00
	(u) Tapping Screw (M2.6×5)	1	9540 1019 00 00		Battery Charger (BC0075G)	1	0446 1606 00 00
	(v) Binding Band (CV-70N)	2	9790 1008 00 00		Power Cord 1.5M (Domestic)	1	8521 0008 00 00
2	Liner Case Assy.	1set	0455 0422 00 99		Power Cord 2.0M (R. Pin for Europe)	1	8521 0009 00 00
	(a) Liner Case	1	0193 0422 00 00		Power Cord 1.5M<VM0718-VM0719> (for China)	1	8521 0029 00 00
	(b) O-Ring (1.78×29.87×33.43)	1	9011 2003 00 00		Power Cord 1.5M<VM0228A-VM0296> (for US)	1	8521 0032 00 00
	(c) Liner Cap	1	0186 0423 00 00		Power Cord 1.5M<VM0773-VM0776> (for India)	1	8521 0033 00 00
	(d) Liner Upper Plate	1	0186 0424 00 00				
	(e) O-Ring (1.78×26.7×30.26)	1	9011 6064 00 00				
	Liner Assy.	1set	0193 0425 00 99				
	(f) Liner	1	※ ↑				
	(g) Pin (2×4.8)	4	8052 1041 00 00				
	(h) Relief Valve	1	0445 0245 00 00				
	(i) Pin (1.5×4)	1	8051 1314 00 00				
	(j) Main Shaft	1	0455 0614 00 01				
	(k) Blade	2	0352 0719 00 00				
	(l) Spring (3.1×20)	2	8020 1296 00 00				
	Liner Lower Plate Assy.	1	0186 0426 00 99				
	(m) Liner Lower Plate	1	※ ↑				
	(n) Pin (3×5)	1	8052 1031 00 00				
	(o) Adjust Bolt	1	0444 0522 00 00				
	(p) O-Ring (N2)	1	9010 4001 00 00				
	(q) Back-up Ring (N2)	1	9090 2001 00 00				
	(r) Nylon Bushing	1	0181 0431 00 00				
	(s) Oil Plug	2	0181 0010 00 00				
	(t) O-Ring (N2)	2	9010 4001 00 00				
	(u) O-Ring (P12)	1	9011 7001 00 00				
	(v) Back-up Ring (12×16×0.8)	1	9090 1010 00 00				
3	* Washer (12.5×18×0.3)	1	8041 5034 00 00				
4	* Washer (12.5×18×0.5)	1	8041 5011 00 00				
5	* Washer (12.5×18×1)	1	8041 5021 00 00				

\* Please replace the Motor Case(A) and the Motor Case(B) as a unit. Also please describe our model name when you order.

The part "※" can not be supplied individually. So please order it as a unit of assembly shown by arrow mark (↑).

★ Marked parts may not be used, in some case.

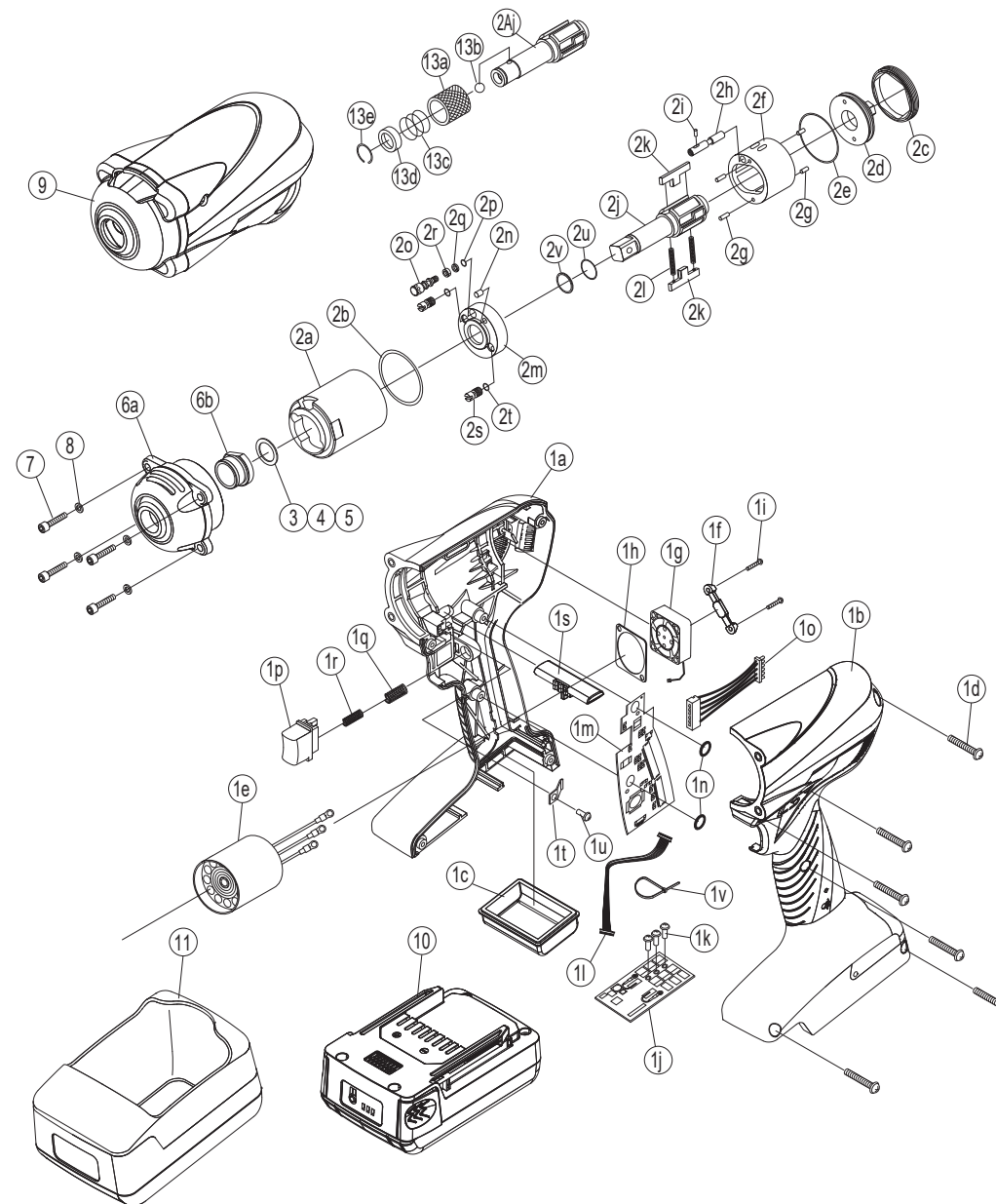
045500-1902

# YOKOTA

## Battery Impulse Wrench

MODEL (YES.No.)	TOOL No.
YZ-N800 (00)	0455 0000 0000
YZ-N800A (00)	0455 0000 0001

### Exploded View



## YOKOTA INDUSTRIAL CO.,LTD.