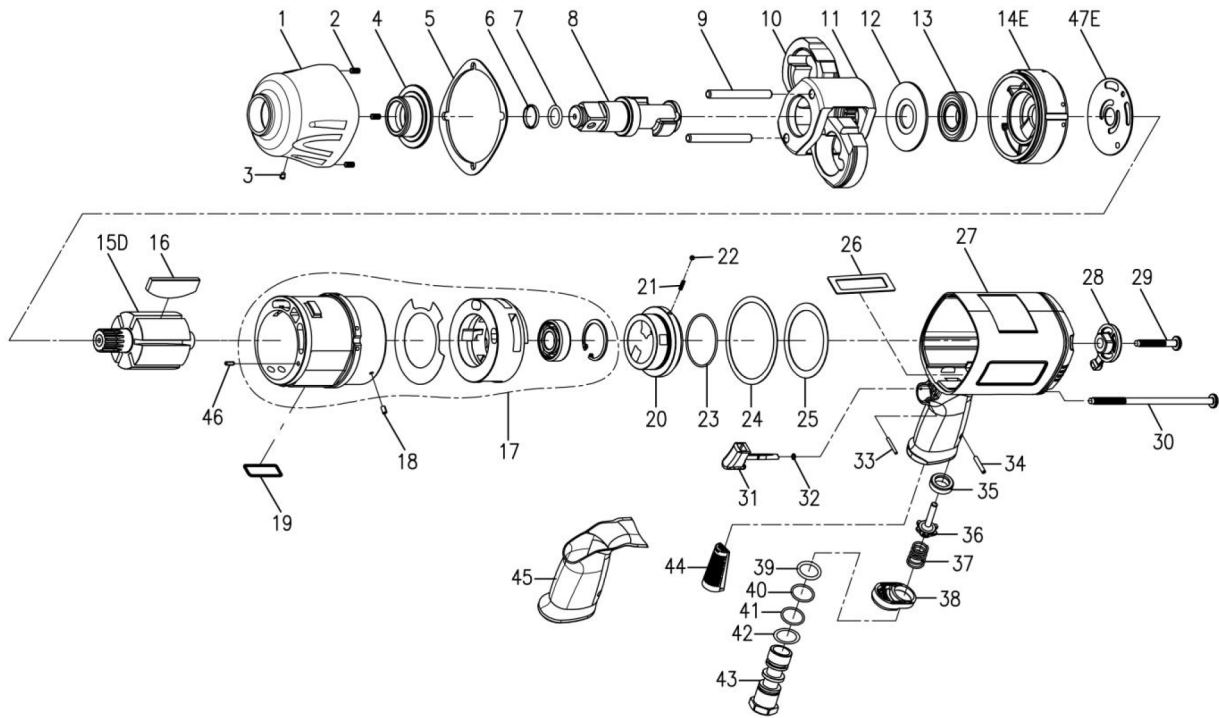


RRI-25 IMPACT WRENCH

Edition 02



Index No.	Part No.	Description	Q'ty	Index No.	Part No.	Description	Q'ty
1	272B-002	Hammer Case	1	23	00-4179	O-Ring	1
2	00-4306	Inserts Recoil	4	24	278F-030	Rear Gasket	1
3	00-4603	Grease Fitting	1	25	278F-031	Washer	1
4	278F-010	Anvil Bushing	1	26	278F-019	Air Channel Gasket	1
5	278F-020	Front Gasket	1	27	272B-001	Motor Housing	1
6	280-028	Anvil Collar	1	28	278V-022	Regulator Knob	1
7	00-4122	O-Ring	1	29	00-6202	Cap Screw	1
8	278D-011A6	Anvil	1	30	278F-028	Screw	4
	278D-011B6	6" Anvil	1	31	305H-024	Trigger	1
9	285C-016	Hammer Pin	2	32	00-4101	O-Ring	1
10	272B-017	Hammer	2	33	00-3335	Spring Pin	1
11	272B-012	Hammer Cage	1	34	00-3308	Spring Pin	1
12	278-019-B	Rear Washer	1	35	306-027-B	Bushing	1
13	00-2325	Ball Bearing	1	36	306-026	Valve Stem	1
14E	272B-005B	Front End Plate	1	37	278H-026	Spring	1
15D	278F-007B	Rotor	1	38	305-021	Exhaust Deflector	1
16	278H-008D	Rotor Blade	6	39	00-4126	O-Ring	1
17	278F-006B	Cylinder	1	40	00-4143	O-Ring	1
	278F-033	Valve Sleeve Gasket	1	41	00-4173	O-Ring	1
	278F-029	Valve Sleeve	1	42	305F-032	Washer	1
	00-2304	Ball Bearing	1	43	278J-025A	Air Inlet (3/8" PF-19)	1
	00-3111	Snap Ring	1		278J-025B	Air Inlet (3/8" PT-19)	
18	00-3355	Spring Pin	1	278J-025C	Air Inlet (3/8" NPT-18)		
19	278F-041	Square Ring	1	44	305F-042	Muffler	1
20	278J-021	Reverse Valve	1	45	272B-036	Handle Rubber	1
21	305F-034B	Spring	1	46	00-3435	Pin	1
22	00-3805	Steel Ball	1	47E	W278V-019	Front End Washer	1