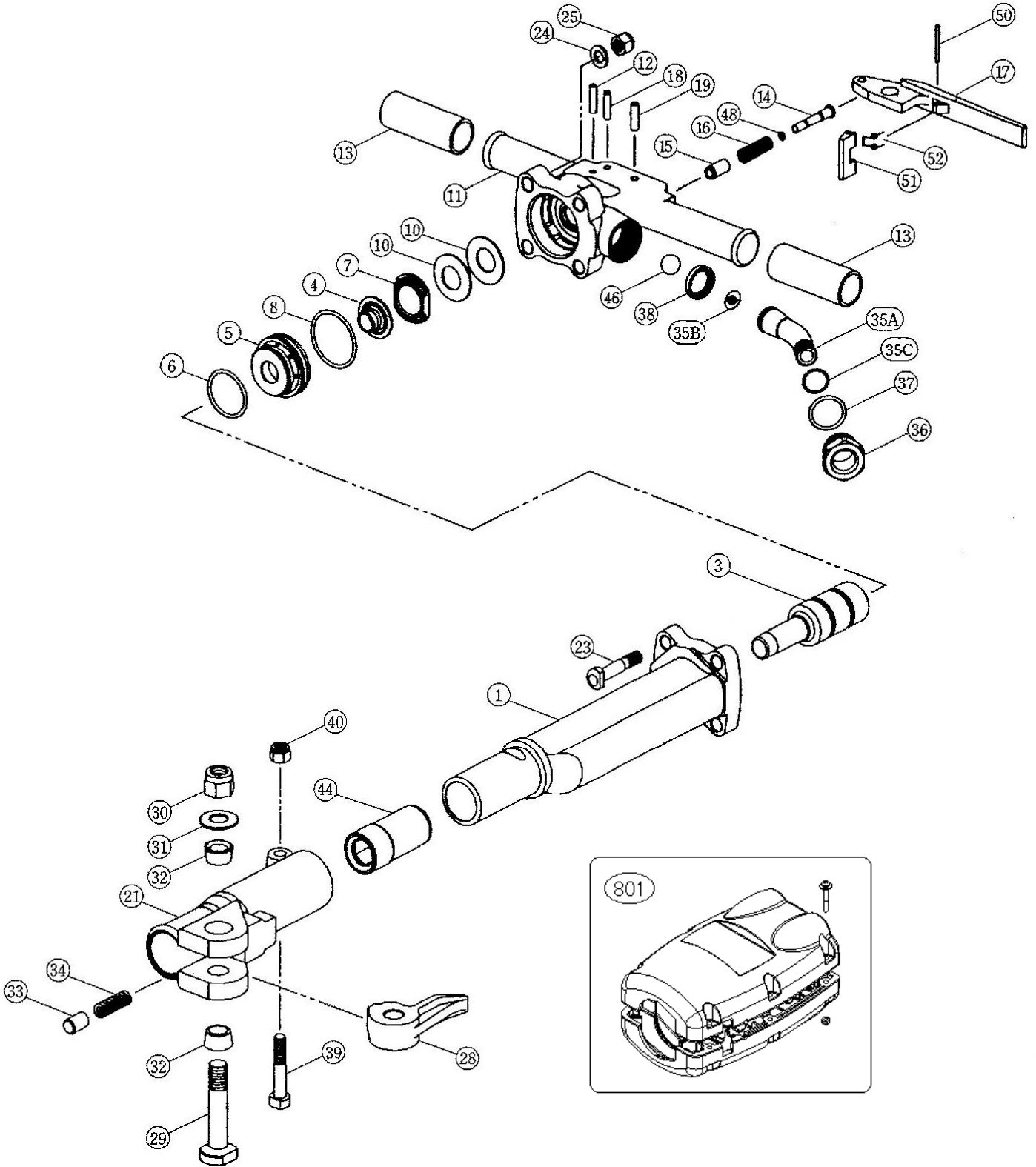


TPB-40

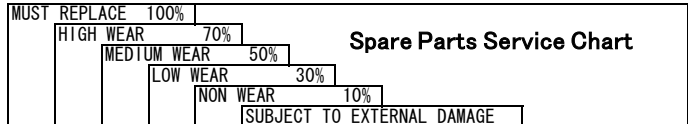
Parts List

Exploded View



9th edition

TPB-40



Symbol No	Parts No.	Q'ty Req	Description	MUST REPLACE 100%	HIGH WEAR 70%	MEDIUM WEAR 50%	LOW WEAR 30%	NON WEAR 10%	SUBJECT TO EXTERNAL DAMAGE
1	410231010	1	Cylinder					X	
3	410231040	1	Piston		X				
4	410231150	1	Valve			X			
5	410231190	1	Valve Chest					X	
6	131101045	1	O-Ring P-46	X					
7	410231180	1	Valve Cover					X	
8	131111356	1	O-Ring JASO-3056	X					
10	131313050	2	Coned Disc Spring H-25					X	
11	410231491	1	Back Head					X	
12	130606030	1	Spring Pin 6X30					A	
13	136601010	2	Rubber Grip					X	
14	410231321	1	Throttle Push Rod					X	
15	410231281	1	Throttle Valve Bushing					X	
16	130801036	1	Throttle Valve Spring		X				
17	410241311	1	Throttle Lever					X	
18	410201330	1	Throttle Lever Pin					A	
19	130655030	1	Spring Roll Pin 8X30					A	
21	410231530	1	Front Head					X	
23	410201500	4	Back Head Bolt					X	
24	131303032	4	Spring Washer W1/2					X	
25	134201012	4	Nylon Nut					X	
28	410239610	1	Steel Retainer	X					
	410241610	1	Steel Retainer	X					
29	410231620	1	Steel Retainer Bolt		X				
30	134601019	1	Hex Nylon Nut 3/4-16UNF		X				
31	131313041	1	Coned Disc Spring H-20		X				
32	136301009	2	Steel Retainer Bolt Bushing		X				
33	410241650	1	Steel Retainer Plunger		X				
34	130801042	1	Steel Retainer Spring		X				
35A	410231370	1	Air Inlet Swivel					X	
35B	136801001	1	Air Inlet Screen					X	
35C	131103019	1	O-Ring S-24	X					
36	410231390	1	Air Inlet Swivel Nut					X	
37	131101033	1	O-Ring P-32	X					
38	410231410	1	Air Inlet Swivel Spacer					X	
39	410201540	1	Front Head Bolt					X	
40	134201012	1	Nylon Nut					X	
44	410235570	1	Shank Bushing 1"	X					
46	130505048	1	Polyurethane Rubber Ball 3/4					A	
48	131108003	1	O-Ring P-5 Hs90	X					
50	130604040	1	spring Pin 4x40					X	
51	410241760	1	Stop Lever					X	
52	130801046	1	Stop Lever Spring					X	
801	410231D8C	(1)	Muffler CP					X	
803	41023148D	(1)	BackHead CP (Inc. Sym. No.11 12,13,14,15,16,17,18,19,35A,35B 35C,36,37,38,46,48,50,51,52)					X	

Spare Parts Service Chart

This service chart is a guide to expectant life of component parts. The replacement levels are based on average tool usage over a one year period.

Example : For 10 tools in use : 10 must —replace items will be required per year, 7 high wear items, etc.

Note : Quantities must be increased if the tool is in more service or continuous usage.

LEGEND

X— Type of wear, if no other comments apply.
A— Easily lost or damaged during disassembly and reassembly.

