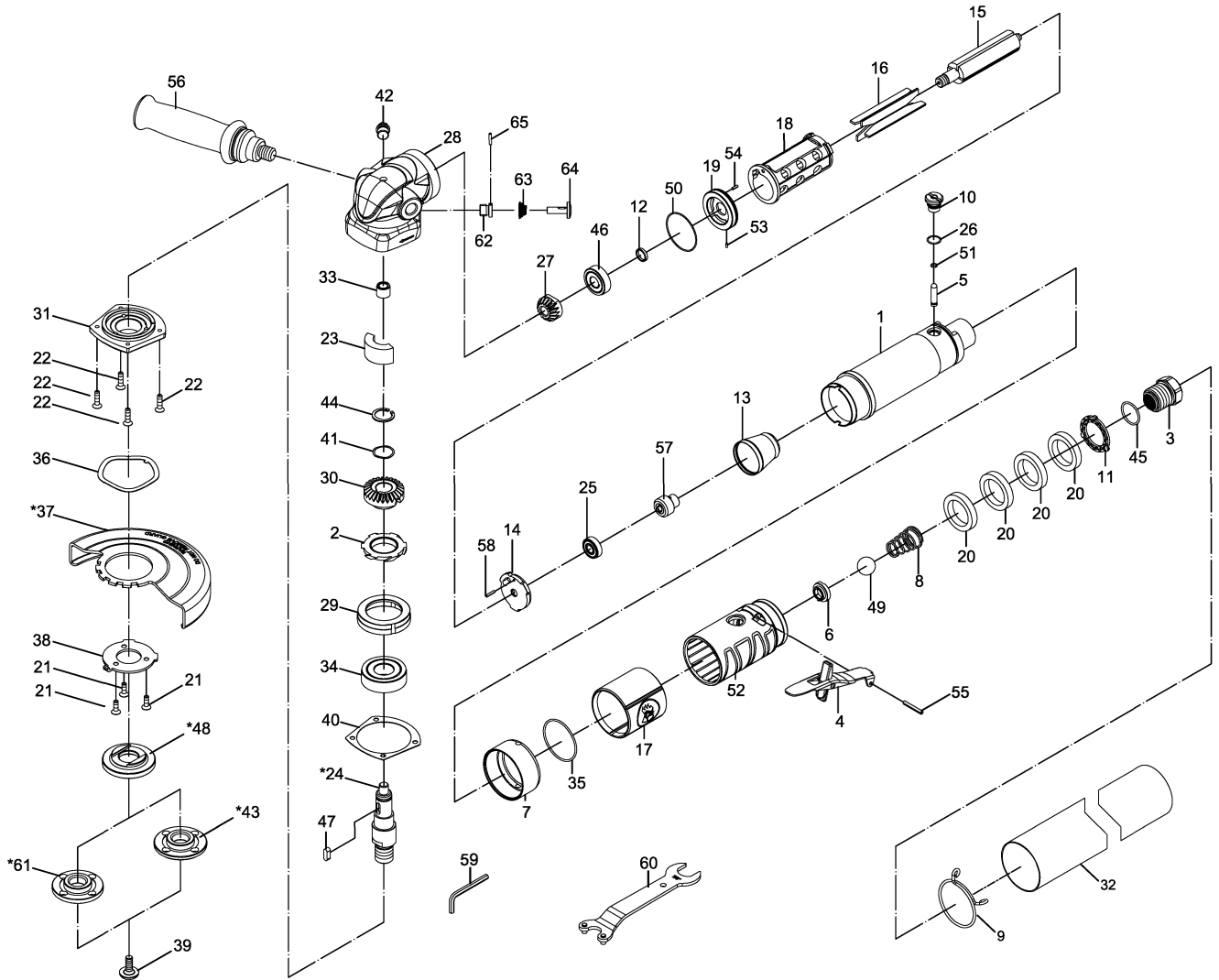


RRI-G50HP ANGLE GRINDER



Index No.48 & No.43 are used for Type 41 Cutting-Off Wheel
 Index No.48 & No.61 are used for Type 27 Grinding Wheel, Type 29 Grinding Wheel or Type 42 Cutting-Off Wheel

Index No.	Parts No.	Description	Index No.	Parts No.	Description
1	5D67S01	Housing	35	OR03705105	O-Ring (37.5x1.5)
2	5D67S02	Deflector	36	5D67S36	Wave Washer
3	5D67S03	Air Inlet	*37	5C67S39	4.5" Guard
4	5D67S04-11S	Throttle Lever Assembly		5D67S39	5" Guard
5	5D67S05	Valve Stem	38	5D67S38	Lock Plate
6	5D67S06	Valve Seat	39	5D-619439	Screw (M6X20L)
7	5D67S07	Clamp	40	5D67S40	Gasket
8	5D67S08	Spring	41	88334	Wave Washer (WW-14)
9	5D67S35	Retainer	42	5D67S42	Screw
10	5D67S10	Screw Bushing	*43	5D-651226	Flange Nut (For 4 1/2" & 5"-- 5/8"-11UNC)
11	5D67S11	Silencer		5D-651226-12	Flange Nut (For 4 1/2" & 5"-- M14*2.0P)
12	5D67S12	Spacer	44	ISTW-14	Inverted Retaining Ring (ISTW-14)
13	5D67S13	Inlet Guide	45	OR01905105	O-Ring (19.5x1.5)
14	5D67S14	Rear End Plate	46	06000LLB	Ball Bearing (6000LLB)
15	5D67S15	Rotor	47	5G-6700R37	Key (4x12L)
16	5D67S16	Vane(4)	*48	5D77S25	Flange (For 4 1/2" & 5"-- 5/8"-11UNC)
17	5D77S51	Front Sleeve		5D77S25-12	Flange (For 4 1/2" & 5"-- M14*2.0P)
18	5D67S18	Cylinder	49	5P-160W29	Delrin Ball (5/8")
19	5D67S19	Front End Plate	50	OR03200100	O-Ring (32x1)
20	5D67S60	Muffler (4)	51	OR00303100	O-Ring (3.3x1)
21	5D67S43	Screw (3) (M4X12L)	52	5D77S52	Grip
22	5D67S44	Screw (4) (M4X16L)	53	30117-22	Spring Pin (1.5x4L)
23	5D67S21	Oil Felt	54	70117-12	Pin (2x6L)
*24	5D67S24	Spindle (For 4 1/2" & 5"-- 5/8"-11UNC)	55	50102	Spring Pin (3x22L)
	5D67S24-12	Spindle (For 4 1/2" & 5"-- M14*2.0P)	56	5G-619753	Vibration Reduced Handle
25	051825	Ball Bearing (607ZZ)	57	5D67S57-11S	Governor Assembly
26	OR00800100	O-Ring (8x1)	58	72902	Spring Pin (2x10L)
27	5D67S27	Bevel Gear	59	10022	Allen Wrench (1/4")
28	5D77S28	Gear House	60	5D-651234	Pin Wrench & Spanner (32mm & 7/8")
29	5D67S29	Bearing Seat	*61	5D-651227	Flange Nut (For 4 1/2" & 5"-- 5/8"-11UNC)
30	5D67S30	Bevel Gear		5D-651227-12	Flange Nut (For 4 1/2" & 5"-- M14*2.0P)
31	5D67S31	Cap	62	5D77S32	Bushing
32	5D-6416S58	Overhose	63	5D67S34	Spring
33	0BK1015	Needle Bearing (BK1015)	64	5D77S33	Spindle Stop Button
34	06203LLB	Ball Bearing (6203LLB)	65	PN02001108	Pin (2x11.8L)

*Optional Parts