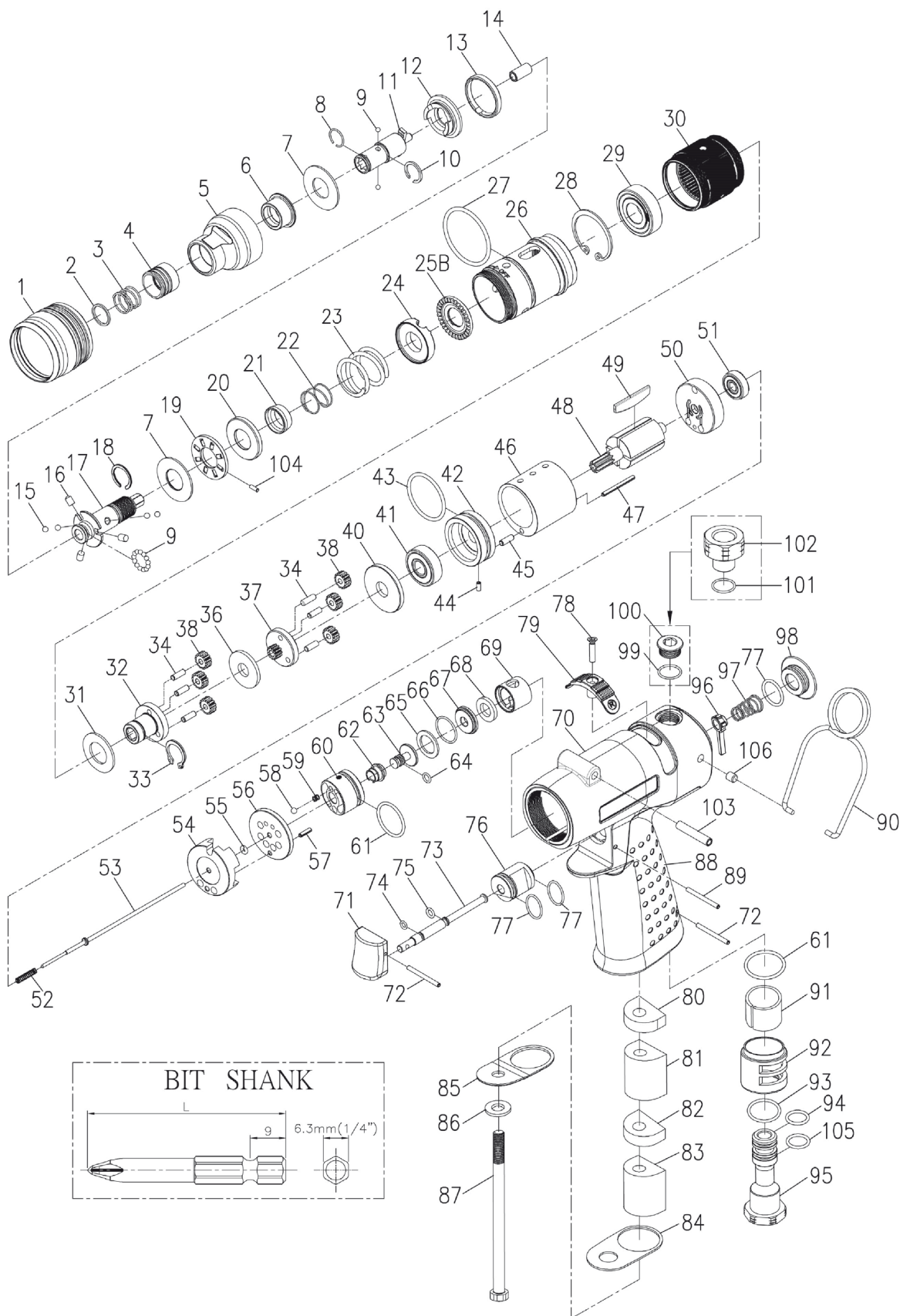


RRI-SP10502

SCREWDRIVER (PISTOL TYPE)

EDITION: B



RRI-SP10502 SCREWDRIVER (PISTOL TYPE)

EDITION: B

Index No.	Part No.	Description	Q'ty
1	B10S-207	Adjusting Cover	1
2	B20S-415	Spring Washer	1
3	B20S-418	Spring	1
4	B20S-417	Quick Change Holder	1
5	B20S-420	Housing Cover	1
6	B20S-202	Anvil Bushing	1
7	00-1516	Washer (Ø12xØ26x1t)	2
8	B20S-428B	Anvil Collar B	1
9	00-3835	Steel Ball (Ø2.5)	15
10	B20S-428A	Anvil Collar A	1
11	B20S-405	Anvil	1
12	B20S-425	Clutch Ring	1
13	B20S-424	Ejector Ring	1
14	00-6301	DU Bearing (Ø4xØ6x6L)	1
15	00-3826	Steel Ball (Ø3)	4
16	B20S-426	Ejector Pin	3
17	B10S-416	Transmission Shaft	1
18	B20S-428C	Anvil Collar C	1
19	B20S-410	Washer	1
20	B20S-433	Spring Seat	1
21	B20S-449	Control Ring	1
22	B20S-427	Spring	1
23	B10S-429	Spring	1
24	B20S-431	Adjusting Lock Ring	1
25B	B20S-430-B	Adjusting Nut	1
26	B10SL-201	Clutch Housing	1
27	00-41222	O-Ring (Ø25xØ2)	1
28	00-3110	Snap Ring (R22)	1
29	00-2318A	Ball Bearing (EE3)	1
30	B10S-440	Internal Gear	1
31	C10S-441	Washer	1
32	C10S-442	Front Gear Cage	1
33	00-3512	Snap Ring (C37)	1
34	00-3448	Pin (Ø2,5x8L)	6
36	C10S-444B	Washer	1
37	C10S-452B	Rear Gear Cage	1
38	C10S-443B	Planet Gear B	6
40	C10S-448	Rear Cover	1
41	00-2347	Ball Bearing (626ZZ)	1
42	B10S-301	Front Plate	1
43	00-41146	O-Ring (Ø21xØ1,5)	1
44	00-3328	Spring Pin (Ø2x4L)	1
45	00-3430	Pin (Ø2x8L)	1
46	C10S-302	Cylinder	1
47	00-3362	Spring Pin (Ø1,5x16L)	1
48	CS10S-303	Rotor	1
49	B10S-304	Rotor Blade	4
50	C10S-305	Rear Plate	1
51	00-2370	Ball Bearing (695Z)	1
52	CS20SL-317	Spring	1
53	B20SL-314	Valve Stem	1
54	B10-519	Transfer Valve	1
55	00-41113	O-Ring (Ø2xØ1,5)	1
56	B10-520	Transmission Washer	1

Index No.	Part No.	Description	Q'ty
57	00-3318	Spring Pin (Ø1,5x5L)	1
58	00-3805	Steel Ball (Ø1/8")	1
59	I100-506	Spring	1
60	B20-502	Reverse Valve	1
61	00-41145	O-Ring (Ø17xØ1)	1
62	B20-526	Guide Ring	1
63	B20-318	Shut Bar	1
64	00-4190	O-Ring (Ø4xØ1)	1
65	B20-533	Washer	1
66	00-41211	O-Ring (Ø14xØ1)	1
67	B20-522	Washer	1
68	B20-319	Bushing	1
69	B20-521	Bushing	1
70	B10-101	Motor Housing	1
71	B20-504	Trigger	1
72	00-3346	Spring Pin (Ø2x20L)	2
73	B20-510	Pin	1
74	00-41105	O-Ring (Ø3xØ1)	1
75	00-41231	O-Ring (Ø2,5xØ2)	1
76	B20-530	Valve	1
77	00-41175	O-Ring (Ø13xØ1,5)	3
78	00-0510	Screw (M3x10L)	1
79	B10-503	Reverse Knob	1
80	B20-601B	Muffler	1
81	B20-601D	Muffler	1
82	B20-601C	Muffler	1
83	B20-601A	Muffler	1
84	B20-607-B	Gasket	1
85	B20-608	Deflector Cap	1
86	B20-609	Washer	1
87	00-0149	Screw (M6x95L)	1
88	B20-103	Housing Rubber	1
89	I100-511	Pin	1
90	I40S-102	Hanger	1
91	I40-601	Muffler	1
92	B20-603	Exhaust Deflector	1
93	00-41111	O-Ring (Ø16xØ1,5)	1
94	00-41247	O-Ring (Ø10,5xØ1,5)	1
95	B20-604A	Air Inlet 1/4" PF-19	1
	B20-604B	Air Inlet 1/4" PT-19	
	B20-604C	Air Inlet 1/4" NPT-18	
96	B20-523	Valve Stem	1
97	C20S-515	Spring	1
98	B20-104	Screw Cap	1
99	00-41254	O-Ring (Ø8xØ1,5)	1
100	B20-107	Set Screw	1
101	00-4118	O-Ring (P10A)	1
102	C20-604A	Air Inlet 1/4" PF-19	1
	C20-604B	Air Inlet 1/4" PT-19	
	C20-604C	Air Inlet 1/4" NPT-18	
103	B20-108A	Bushing	1
104	00-3471	Pin (Ø2,5x4L)	8
105	00-4107	O-Ring (P9)	1
106	B20-108B	Bushing	2